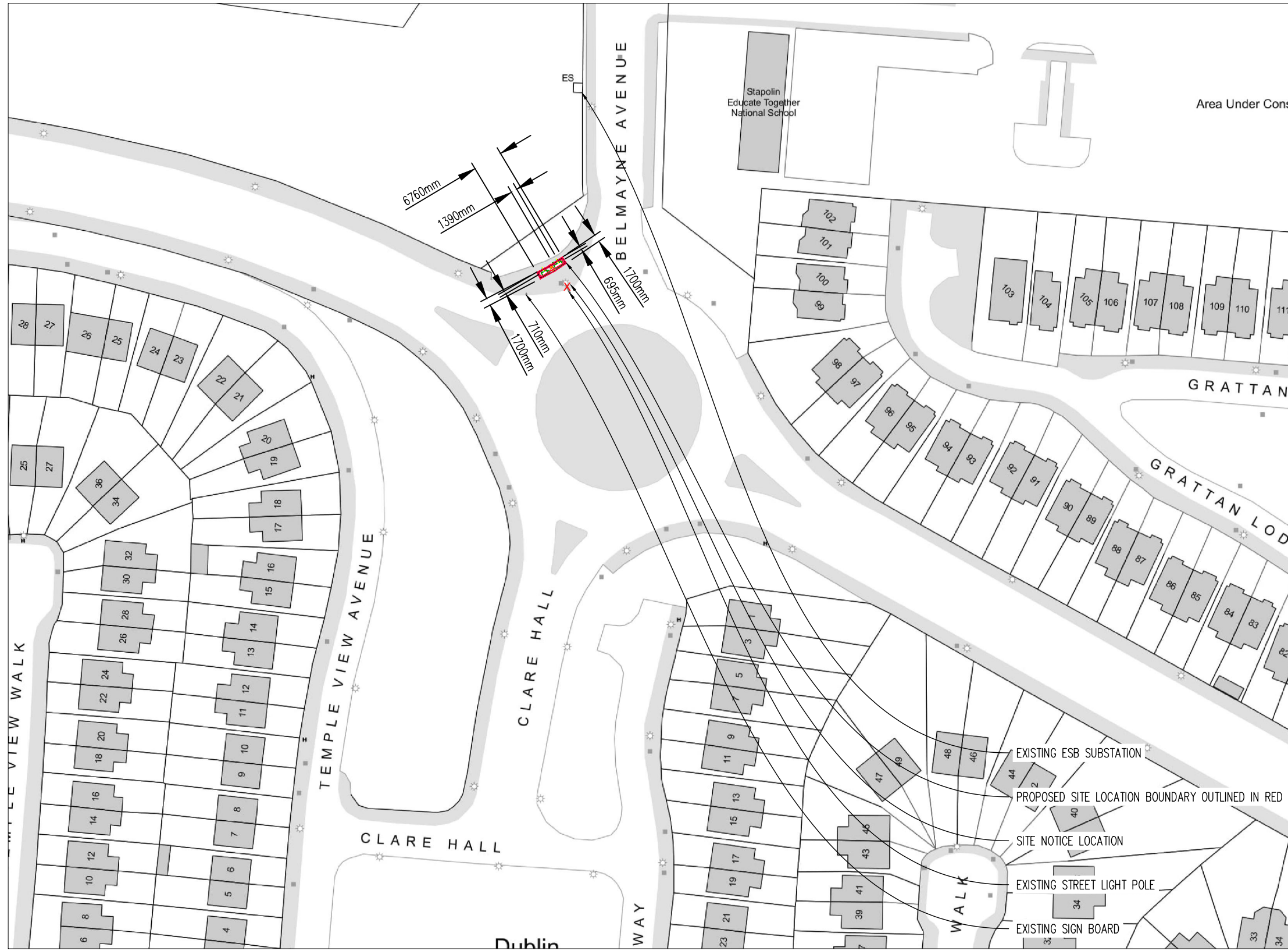


721806m E, 740707m N



721514m E, 740492m N

Reproduced from OS Maps, 1:1000 & 1:2500 with the permission of Ordnance Survey of Ireland. License No. CYAL50173281 OS MAP No. 3133-02, 3133-03(1:1000), 3133-A(1:2500)

OVERVIEW MAP
SCALE 1:1000

SITE COORDINATES

LATITUDE:	53° 24' 6.966" N	IG EASTING:	321697	ITM EASTING:	721638
LONGITUDE:	6° 10' 14.772" W	IG NORTHING:	240623	ITM NORTHING:	740647

A	SITE LOCATION UPDATED	03.10.22	VM	YM
-	LEASE DRAWING	23.05.22	VM	YM
No.	Revision	Date	By	Ckd



Drawings prepared by Yogi Murthi
ENTRUST LTD. Unit 1D,Deerpark Business Centre,Oranmore,
Co. Galway, H91 X599, TEL:+353 (0) 91 342 510
contact@entrust-services.com

Disclaimer: Information this map is reproduced from digital material from OSI and land direct portfolio. This plan should be used for identification purpose only, unless specifically stated above or in accompanying document. Entrust takes on responsibility for the accuracy of the data provided by third parties. Site development boundary is highlighted in red.



SECTION 254

Site Code: DN-2928-01

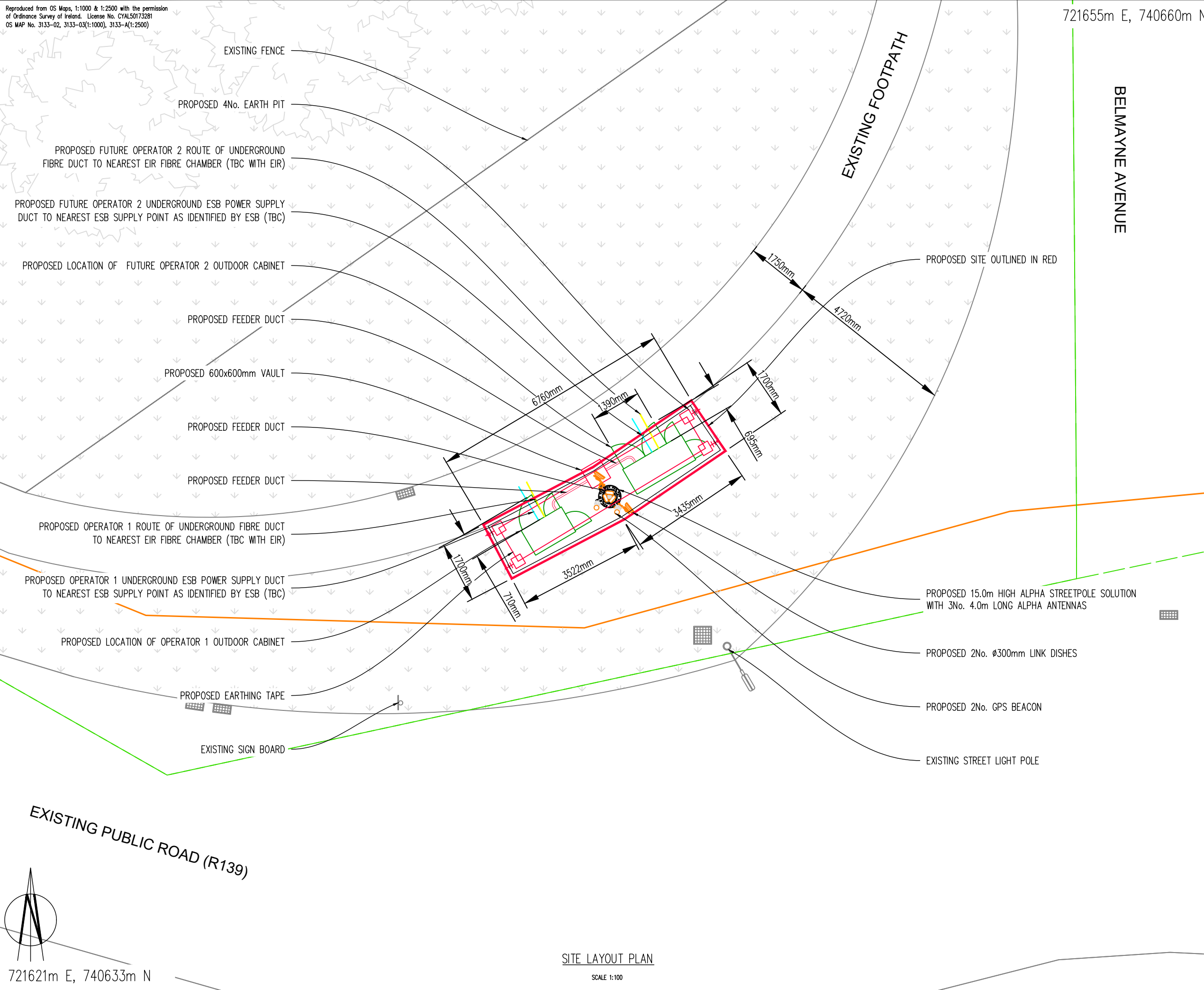
S.P. Ref: N/A

Site Address
ROUNDAUB, R139 ROAD,
BALGRIFFIN,
CLAREHALL,
DUBLIN 13

Title
SITE LOCATION MAP
1:1000 MAP

Designed	VM	Date	03/10/2022
Drawn	W	Scale	AS SHOWN
		Rev.	A
Dwg No. DN-2928-01-PD-01			

Reproduced from OS Maps, 1:1000 & 1:2500 with the permission of Ordnance Survey of Ireland. License No. CYAL50173281 OS MAP No. 3133-02, 3133-03(1:1000), 3133-A(1:2500)



721655m E, 740660m N

SITE COORDINATES			
LATITUDE:	53° 24' 6.966" N	IG EASTING:	321697
LONGITUDE:	6° 10' 14.772" W	IG NORTHING:	240623
		ITM EASTING:	721638
		ITM NORTHING:	740647

LEGEND			
MV/LV UG Cable Routes			
Telecommunications			

No.	Revision	Date	By	Ckd
A	SITE LOCATION UPDATED	03.10.22	YM	YM
-	LEASE DRAWING	23.05.22	YM	YM



Drawings prepared by Yogi Murthi
 ENTRUST LTD. Unit 1D, Deerpark Business Centre, Oranmore,
 Co. Galway, H91 X599, TEL: +353 (0) 91 342 510
 contact@entrust-services.com

Disclaimer: Information on this map is reproduced from digital material from OSI and land direct portfolio. This plan should be used for identification purposes only, unless specifically stated above or in accompanying documents. Entrust takes on responsibility for the accuracy of the data provided by third parties. Site development boundary is highlighted in red.

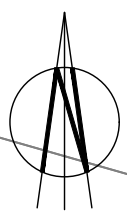


SECTION 254

Site Code:	DN-2928-01
S.P. Ref:	N/A
Site Address	ROUNDAABOUT, R139 ROAD, BALGRIFFIN, CLAREHALL, DUBLIN 13
Title	PTI SMART STREETPOLE SITE LAYOUT PLAN
Designed	YM
Date	03/10/2022
Drawn	W
Scale	AS SHOWN
Rev.	A
Dwg No.	DN-2928-01-PD-02

SITE LAYOUT PLAN

SCALE 1:100



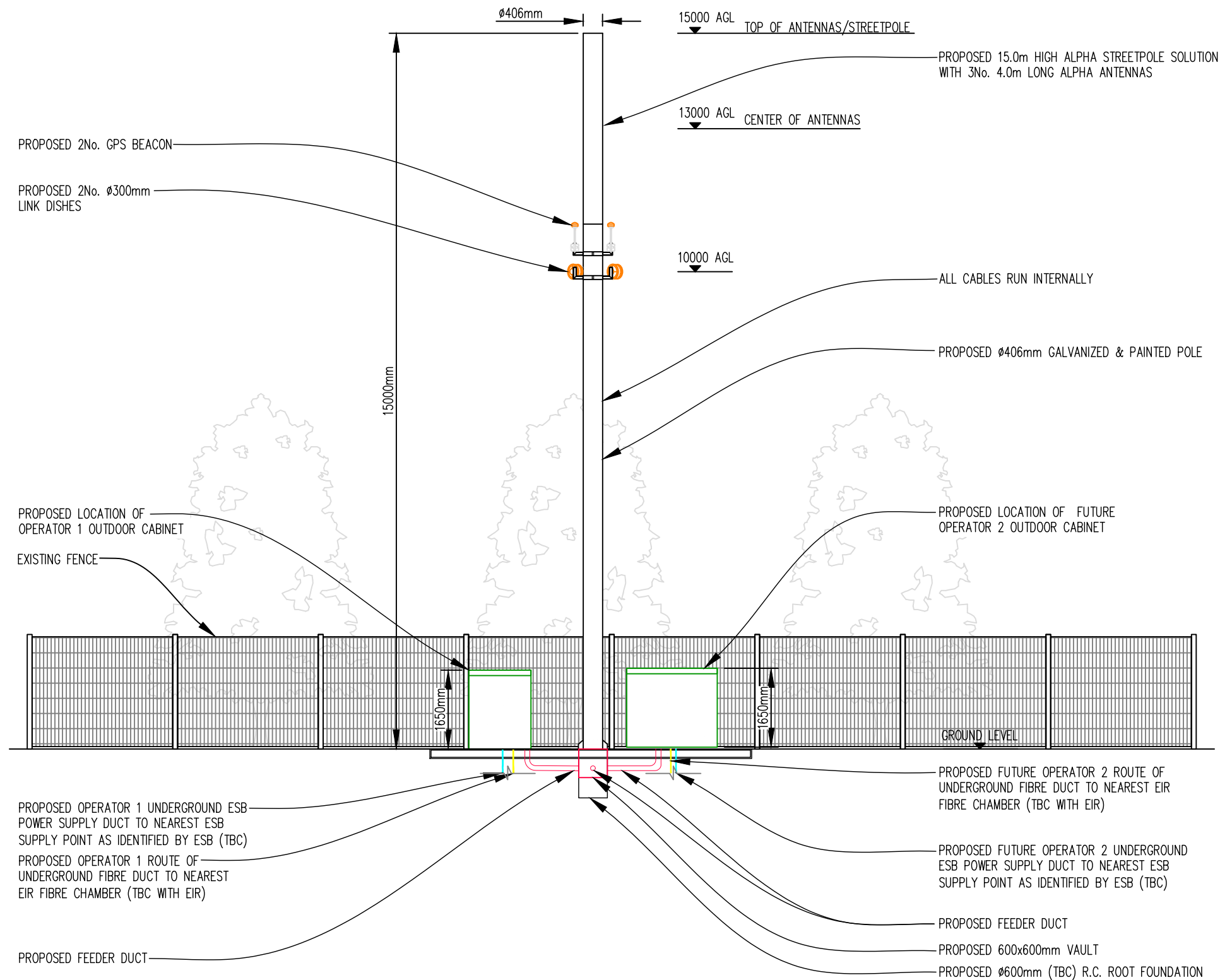
721621m E, 740633m N

EXISTING PUBLIC ROAD (R139)

BELMAYNE AVENUE

EXISTING FOOTPATH

PROPOSED SITE OUTLINED IN RED



SOUTH-EAST ELEVATION

SCALE 1:100

SITE COORDINATES

LATITUDE:	53° 24' 6.966" N	IG EASTING:	321697	ITM EASTING:	721638
LONGITUDE:	6° 10' 14.772" W	IG NORTHING:	240623	ITM NORTHING:	740647

No.	Revision	Date	By	Ckd
A	SITE LOCATION UPDATED	03.10.22	VM	YM
-	LEASE DRAWING	23.05.22	VM	YM



Drawings prepared by Yogi Murthi
 ENTRUST LTD. Unit 1D, Deerpark Business Centre, Oranmore,
 Co. Galway, H91 X599, TEL: +353 (0) 91 342 510
 contact@entrust-services.com

Disclaimer: Information on this map is reproduced from digital material from OSI and land direct portfolio. This plan should be used for identification purposes only, unless specifically stated above or in accompanying document. Entrust takes on responsibility for the accuracy of the data provided by third parties. Site development boundary is highlighted in red.



SECTION 254

Site Code: DN-2928-01

S.P. Ref: N/A

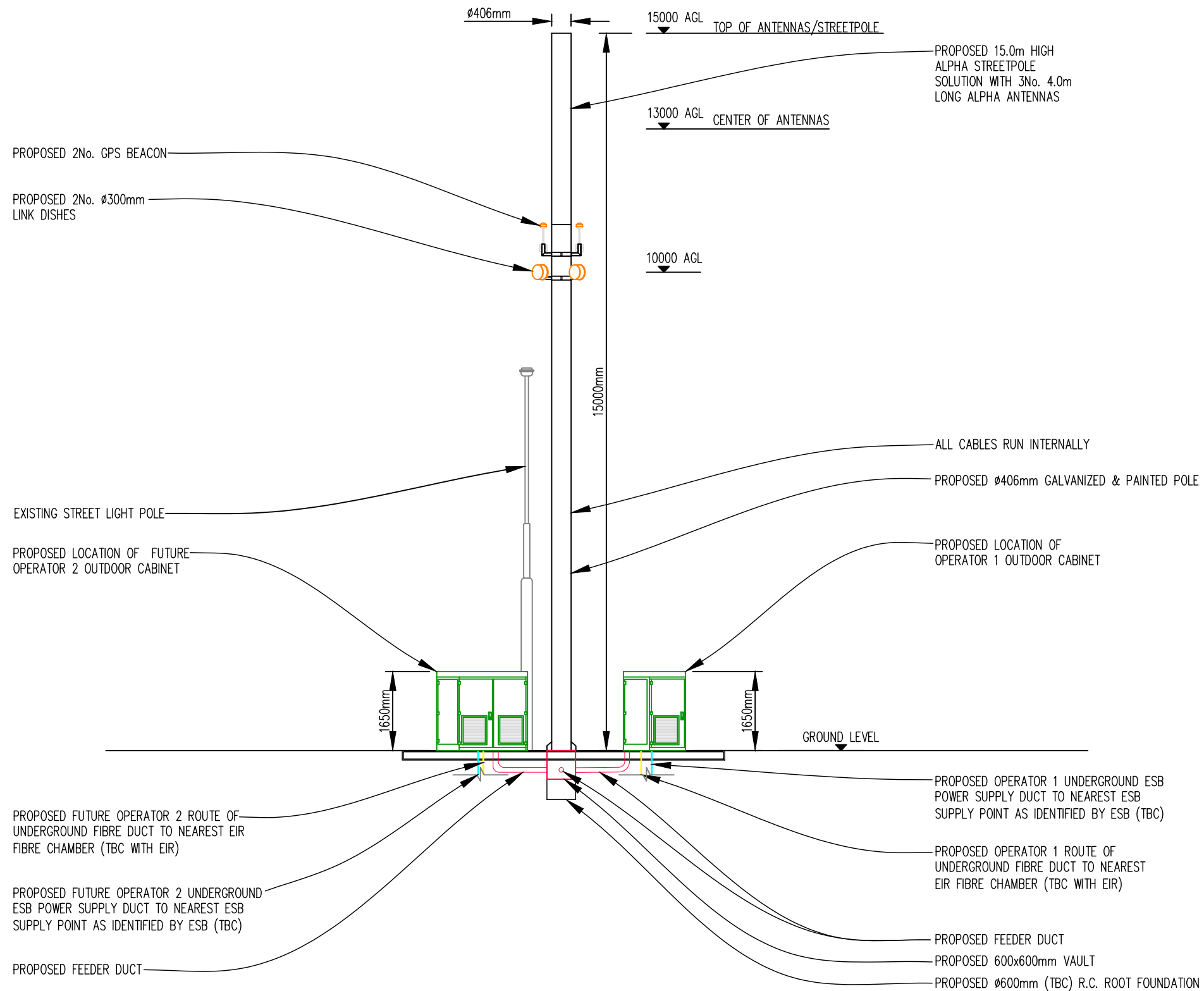
Site Address
 ROUNDABOUT, R139 ROAD,
 BALGRIFFIN,
 CLAREHALL,
 DUBLIN 13

Title
 PTI SMART STREETPOLE
 SOUTH-EAST ELEVATION

Designed VM Date 03/10/2022

Drawn W Scale AS SHOWN Rev. A

Dwg No. DN-2928-01-PD-03



NORTH-WEST ELEVATION

SCALE 1:100

SITE COORDINATES

LATITUDE:	53° 24' 6.966" N	IG EASTING:	321697	ITM EASTING:	721638
LONGITUDE:	6° 10' 14.772" W	IG NORTHING:	240623	ITM NORTHING:	740647

No.	Revision	Date	By	Ckd
A	SITE LOCATION UPDATED	03.10.22	VM	YM
-	LEASE DRAWING	23.05.22	VM	YM



Drawings prepared by Yogi Murthi
 ENTRUST LTD. Unit 1D, Deerpark Business Centre, Oranmore,
 Co. Galway, H91 X599, TEL: +353 (0) 91 342 510
 contact@entrust-services.com

Disclaimer: Information on this map is reproduced from digital material from OSI and land direct portfolio. This plan should be used for identification purposes only, unless specifically stated above or in accompanying document. Entrust takes on responsibility for the accuracy of the data provided by third parties. Site development boundary is highlighted in red.



SECTION 254

Site Code: DN-2928-01

S.P. Ref: N/A

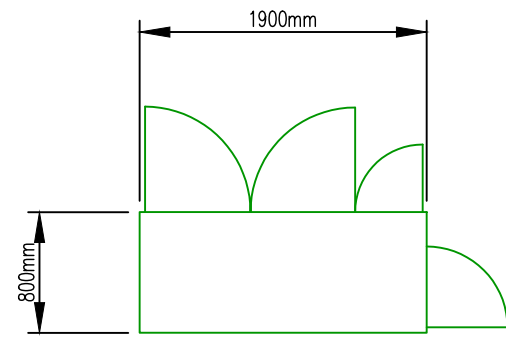
Site Address
 ROUNDABOUT, R139 ROAD,
 BALGRIFFIN,
 CLAREHALL,
 DUBLIN 13

Title
 PTI SMART STREETPOLE
 NORTH-WEST ELEVATION

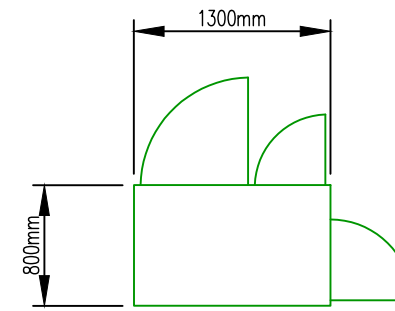
Designed VM Date 03/10/2022

Drawn W Scale AS SHOWN Rev. A

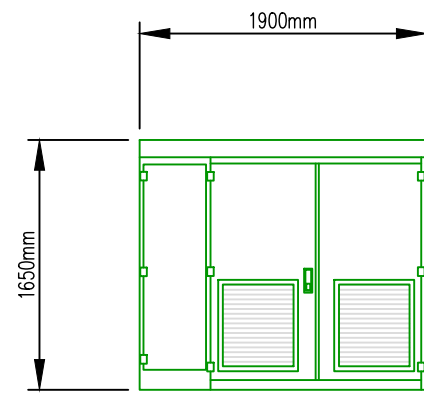
Dwg No. DN-2928-01-PD-04



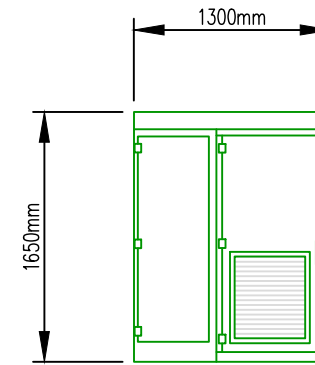
Top View



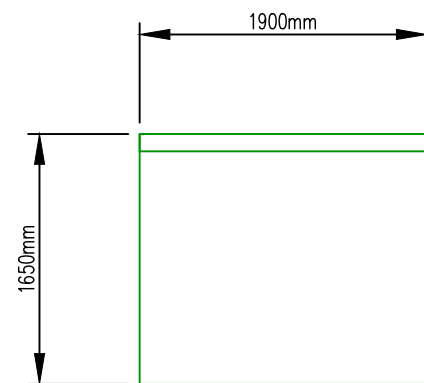
Top View



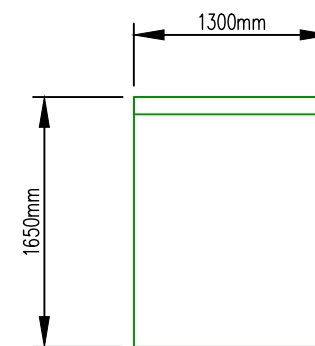
Front View



Front View



Back View



Back View

EQUIPMENT DETAILS

SCALE 1:30

SITE COORDINATES

LATITUDE: 53° 24' 6.966" N IG EASTING: 321697 ITM EASTING: 721638
 LONGITUDE: 6° 10' 14.772" W IG NORTHING: 240623 ITM NORTHING: 740647

No.	Revision	Date	By	Ckd
A	SITE LOCATION UPDATED	03.10.22	VM	YM
-	LEASE DRAWING	23.05.22	VM	YM



Drawings prepared by Yogi Murthi
 ENTRUST LTD. Unit 1D, Deerpark Business Centre, Oranmore,
 Co. Galway, H91 X599, TEL: +353 (0) 91 342 510
 contact@entrust-services.com

Disclaimer: Information this map is reproduced from digital material from OSI and land direct portfolio. This plan should be used for identification purpose only, unless specifically stated above or in accompanying document. Entrust takes on responsibility for the accuracy of the data provided by third parties. Site development boundary is highlighted in red.



SECTION 254

Site Code: DN-2928-01

S.P. Ref: N/A

Site Address
 ROUNDABOUT, R139 ROAD,
 BALGRIFFIN,
 CLAREHALL,
 DUBLIN 13

Title
 PTI SMART STREETPOLE
 EQUIPMENT DETAILS

Designed VM Date 03/10/2022

Drawn W Scale AS SHOWN Rev. A

Dwg No. DN-2928-01-PD-05